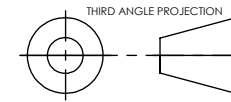




PROPRIETARY INFORMATION NOTICE:
THIS DOCUMENT IS AND CONTAINS CONFIDENTIAL TRADE SECRET INFORMATION OF THE COMPANY AND REMAINS THE PROPERTY OF THE COMPANY AND IS TO BE RETURNED UPON REQUEST. NEITHER IT NOR THE INFORMATION IT CONTAINS MAY BE REPRODUCED OR DISCLOSED TO PERSONS NOT HAVING A NEED-TO-KNOW CONSISTENT WITH THE PURPOSE OF THE LOAN OF THE DOCUMENT

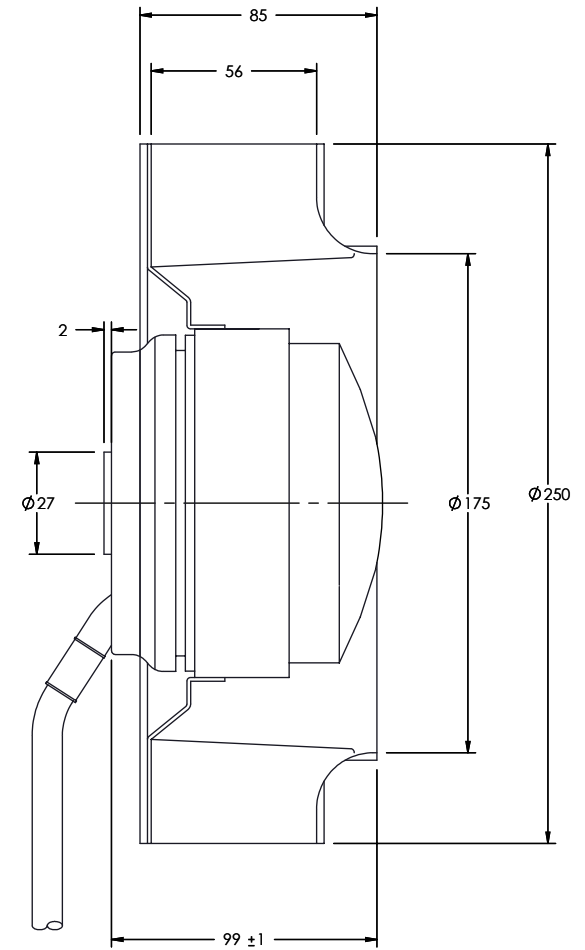
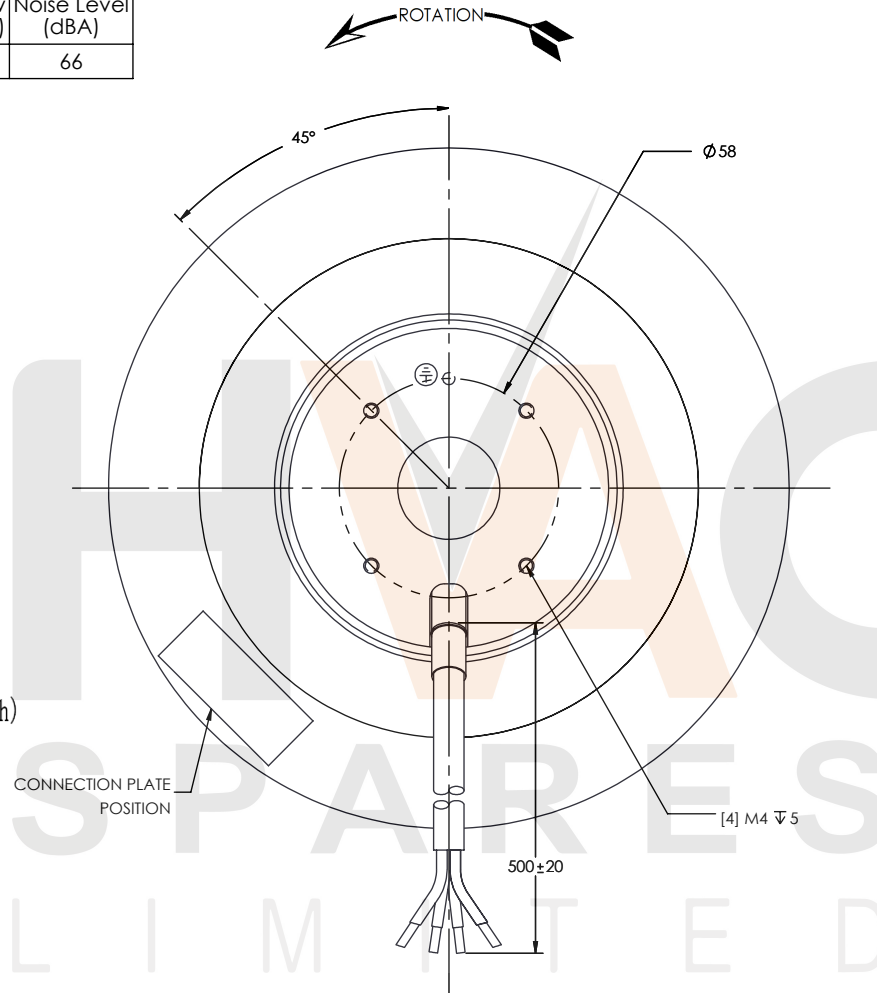
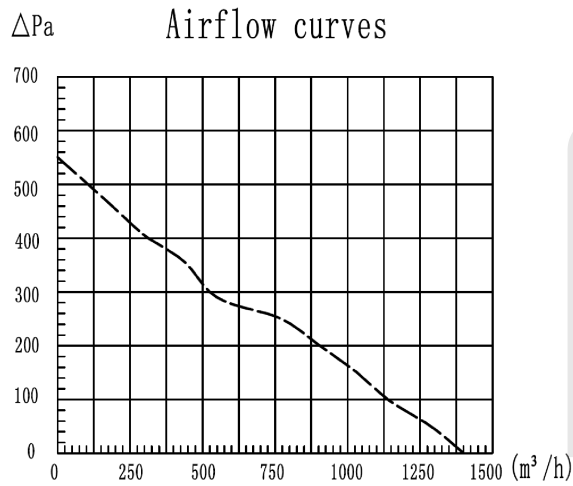


BCF-2-250-56

Remco Products Ltd W.Sussex PO22 9QT
Tel: +44(0)1243 869905
Email: sales@remco.co.uk

CUSTOMER IS SOLELY RESPONSIBLE FOR MOTOR PERFORMANCE AND SUITABILITY IN APPLICATION FOR CUSTOMER'S USES.

Rated Voltage	Frequency (Hz)	Current (A)	Input Power (W)	Rated Speed (r/min)	Airflow (m ³ /h)	Noise Level (dBA)
220	50	0.68	150	2380	1400	66



ALL DIMENSIONS IN MILLIMETERS UNLESS STATED. DRAWING NOT TO SCALE

BCF

ISSUE 1 30-MAR-21

WEIGHT 3.3kg

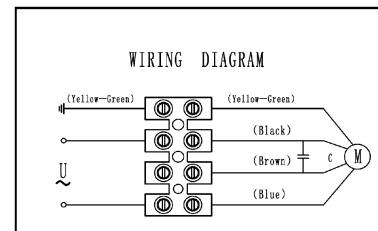
APPROVAL
Part no: BCF-2-250-56_3
Drawn By: M.Tillyer
Checked By:
Approved By:
Date:

NAMEPLATE DATA:

BCF-2-250-56

220V 50Hz 0.68A 75/150W 2380r/min

4 μ F/450V CL.F XX/XX



INSULATION CLASS: F
INGRESS PROTECTION: IP44
PERMISSIBLE AMBIENT TEMP: -30°C ~ +60°C
PROTECTION: THERMO CONTACT 150 \pm 5°C
CAPACITOR: 4 μ F 440VAC