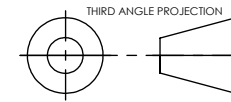




PROPRIETARY INFORMATION NOTICE:  
 THIS DOCUMENT IS AND CONTAINS CONFIDENTIAL TRADE SECRET INFORMATION OF THE COMPANY AND REMAINS THE PROPERTY OF THE COMPANY AND IS TO BE RETURNED UPON REQUEST. NEITHER IT NOR THE INFORMATION IT CONTAINS MAY BE REPRODUCED OR DISCLOSED TO PERSONS NOT HAVING A NEED-TO-KNOW CONSISTENT WITH THE PURPOSE OF THE LOAN OF THE DOCUMENT

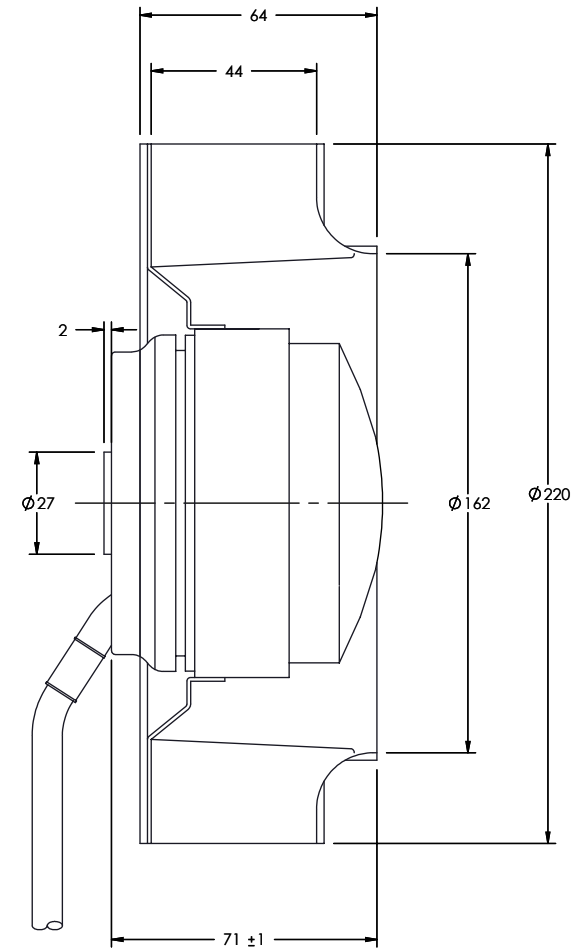
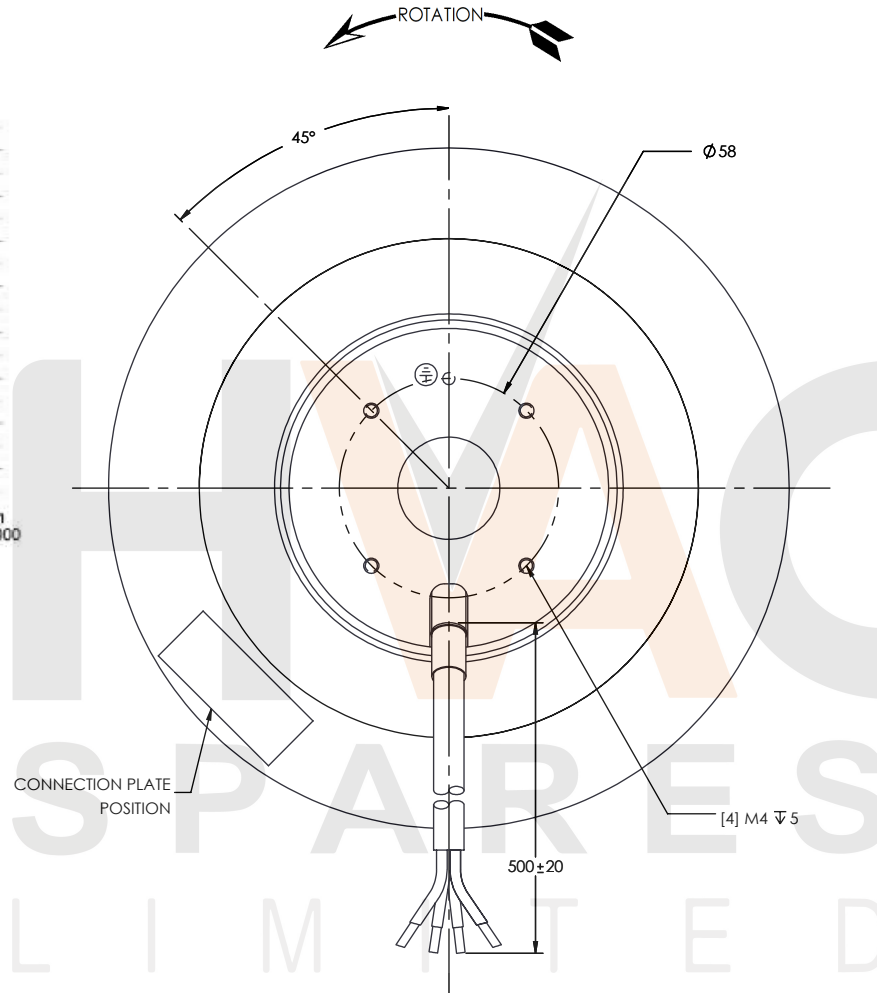
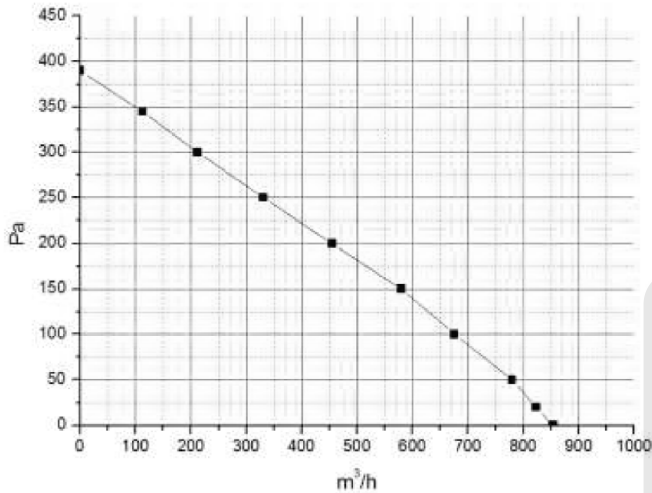


BCF-2-220-44

Remco Products Ltd W.Sussex PO22 9QT  
 Tel: +44(0)1243 869905  
 Email: sales@remco.co.uk

CUSTOMER IS SOLELY RESPONSIBLE FOR MOTOR PERFORMANCE AND SUITABILITY IN APPLICATION FOR CUSTOMER'S USES.

Rated Voltage	Frequency (Hz)	Current (A)	Input Power (W)	Rated Speed (r/min)
220	50	0.37	81	2500



ALL DIMENSIONS IN MILLIMETERS UNLESS STATED. DRAWING NOT TO SCALE

BACKWARD CURVE FAN

ISSUE 1 30-MAR-22

WEIGHT 2.3kg

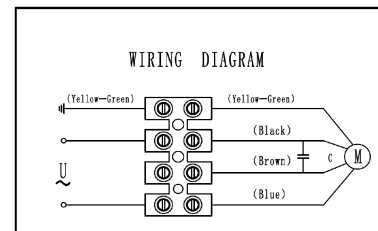
APPROVAL
Part no: BCF-2-220-44_3
Drawn By: M.Tillyer
Checked By:
Approved By:
Date:

NAMEPLATE DATA:

**BCF-2-220-44**

220V50Hz 0.37A 37/81W 2500r/min

3 µF/450V CL.F IP44 XX/XX



INSULATION CLASS: F  
 INGRESS PROTECTION: IP44  
 PERMISSIBLE AMBIENT TEMP: -30°C ~ +60°C  
 PROTECTION: THERMO CONTACT 150±5°C  
 CAPACITOR: 3µF 440VAC