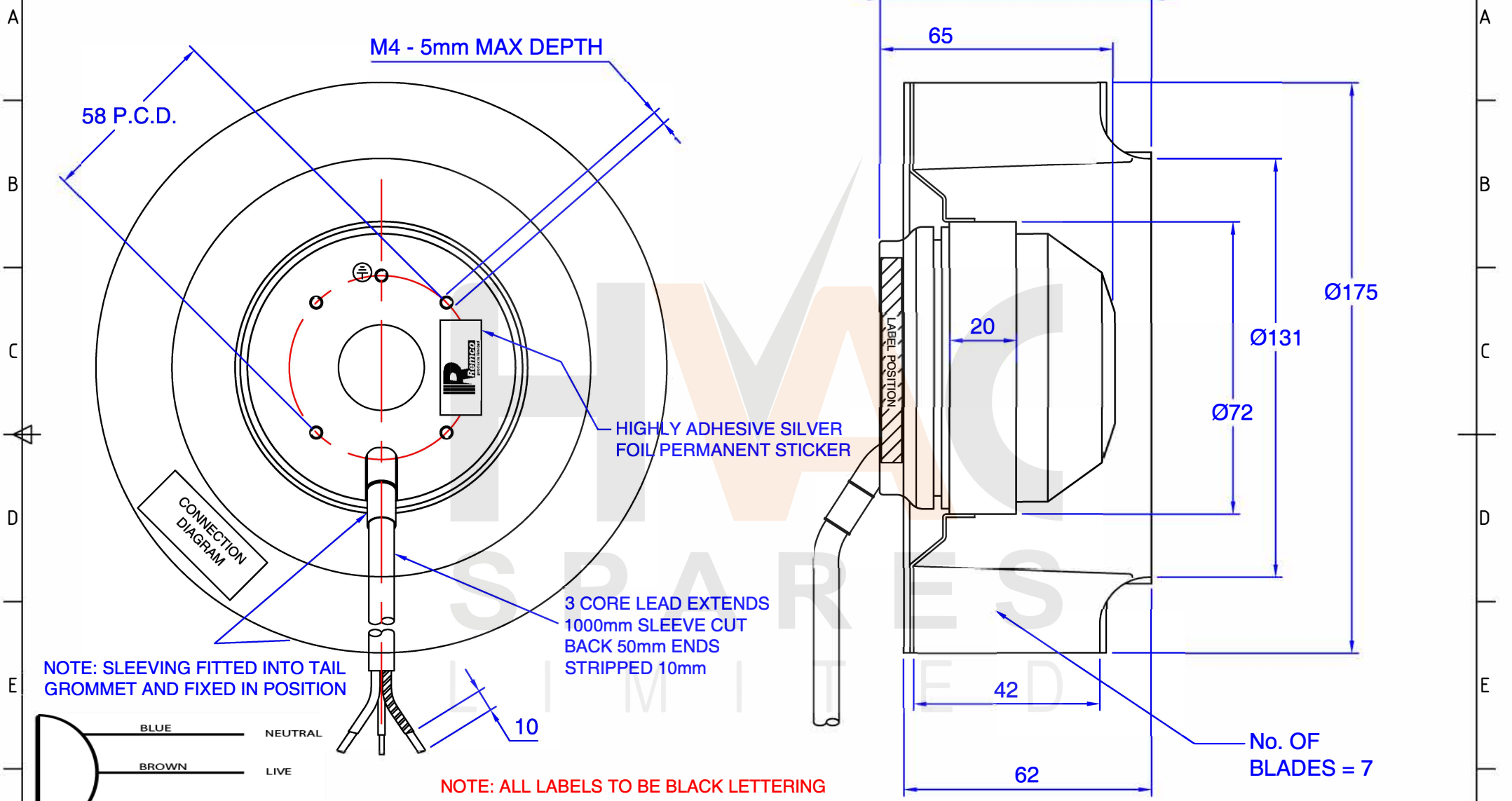


OFFICIAL

Ø69 (CRITICAL DIMENSION)



58 P.C.D.

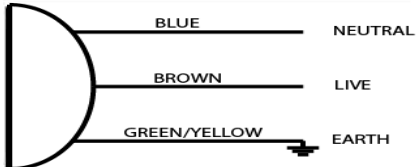
M4 - 5mm MAX DEPTH

HIGHLY ADHESIVE SILVER FOIL PERMANENT STICKER

CONNECTION DIAGRAM

3 CORE LEAD EXTENDS 1000mm SLEEVE CUT BACK 50mm ENDS STRIPPED 10mm


NOTE: SLEEVING FITTED INTO TAIL GROMMET AND FIXED IN POSITION



NOTE: ALL LABELS TO BE BLACK LETTERING ON SILVER BACKGROUND

No. OF BLADES = 7

Remco Part No. BCF-2-175-42
 230V - 50/60Hz - 0.29/0.33A - 51/53W - 2300/2350RPM - CLASS F
 Thermal Overload Protector Fitted

J.SOMERVILLE DRW BY	CHECKED BY	BCF-2-175-42.dwg FILENAME	14-01-2005 DATE	DO NOT SCALE
 REMCO PRODUCTS LIMITED		BCF-2-175-42		1.0 ISSUE
				1/1 SHEET