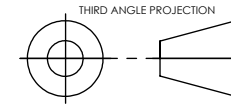




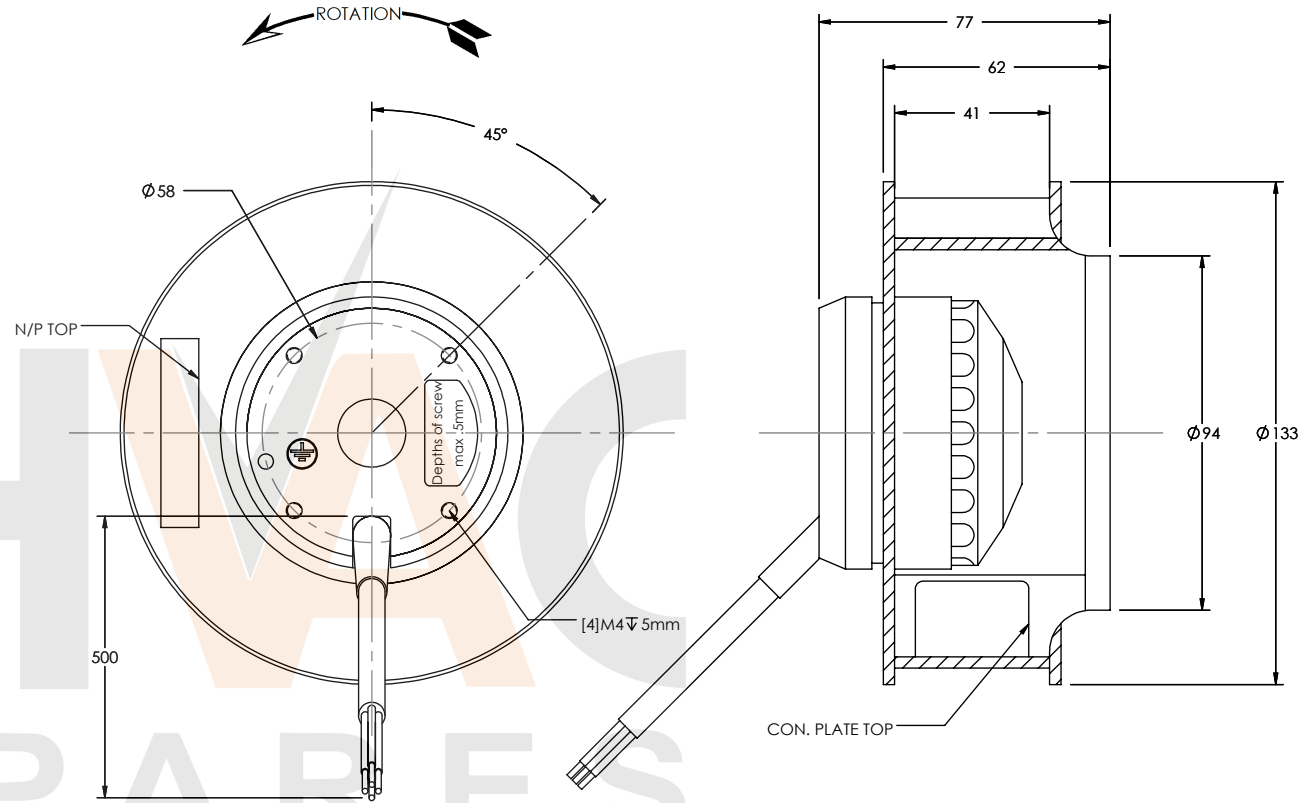
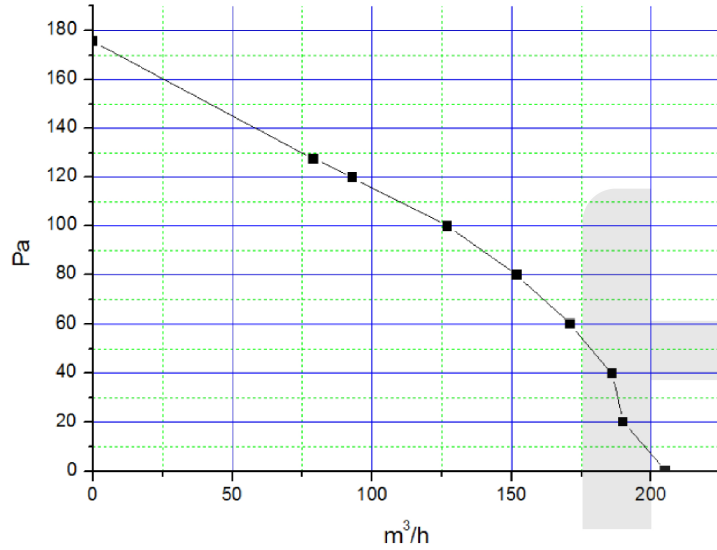
PROPRIETARY INFORMATION NOTICE:
THIS DOCUMENT IS AND CONTAINS CONFIDENTIAL TRADE SECRET INFORMATION OF THE COMPANY AND REMAINS THE PROPERTY OF THE COMPANY AND IS TO BE RETURNED UPON REQUEST. NEITHER IT NOR THE INFORMATION IT CONTAINS MAY BE REPRODUCED OR DISCLOSED TO PERSONS NOT HAVING A NEED-TO-KNOW CONSISTENT WITH THE PURPOSE OF THE LOAN OF THE DOCUMENT



BCF-2-133-41

Remco Products Ltd W.Sussex PO22 9QT
Tel: +44(0)1243 869905
Email: sales@remco.co.uk

CUSTOMER IS SOLELY RESPONSIBLE FOR MOTOR PERFORMANCE AND SUITABILITY IN APPLICATION FOR CUSTOMER'S USES.



ALL DIMENSIONS IN MILLIMETERS UNLESS STATED. DRAWING NOT TO SCALE


BACKWARD CURVE FAN

ISSUE 1 04-OCT-21


WEIGHT 0.75kg

APPROVAL
Part no: BCF-2-133-41_3
Drawn By: M.Tillyer
Checked By:
Approved By:
Date:

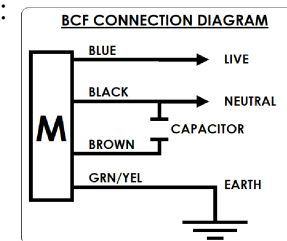
NAMEPLATE DATA:



Model no. BCF-2-133-41
220V - 50Hz - 0.10A - 15/23W
2620r/min - 1µF/450V - CL.F - IP44



CONNECTION PLATE:



SHIP SEPERATE:
[1] 1µF 450VAC CAPACITOR
[1] INLET RING